

www.creativechef.vip



Manufacturer : ASTURSOURCING,S.L.
Address : Arroes de arriba,11 33314 Villaviciosa
Email : fsandoval@astursourcing.com

CREATIVECHEF®

◆ From Spain ◆



2019/01

Vacuum Packaging Machinery
Bags especially Designed for SOUS VIDE
Vacuum Bags of Food Packaging

真空包装机
低温慢煮机
低温慢煮专用袋
食品真空包装袋



VP160

真空包装机
VACUUM SEALER

Model型号: VP160	EAN13: 6971656300117
220V/50Hz	↔ 36X49X21 cm
250W	⚖ 20 Kg

NEW

2 Filler Plates
填充板2块



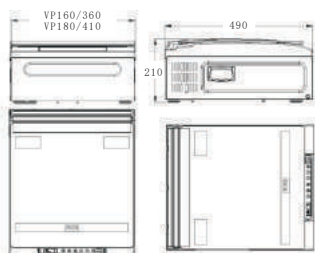
Sealing bar: 26 cm
封口条长: 26 cm



Perfect design
完美设计



Suction: 4m³/h
抽气率: 4m³/h



- Vacuum chamber size 305X300X110mm · 真空室尺寸 305X300X110 毫米
- Vacuum chamber volume ≈7L · 真空室容积 ≈7 升
- Sealing dimension 260X6mm · 封口尺寸 260X6 毫米
- Spacer dimension 260X180X20mm · 垫板尺寸 260X180X20 毫米
- Gas extraction rate 4m³/h ≥-0.09Mpa · 抽气率 4 立方米/小时 ≥-0.09Mpa

· LED触摸屏 · 中英界面可选 · 可预设10种工作程序 · 超大真空室 · 送外抽接头及真空罐

VP180

真空包装机
VACUUM SEALER

Model型号: VP180	EAN13: 6971656300124
220V/50Hz	↔ 41X49X21 cm
250W	⚖ 24 Kg

2 Filler Plates
填充板2块



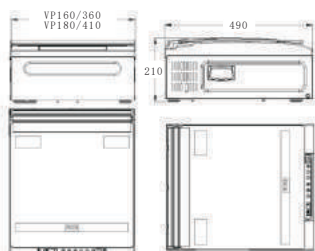
Sealing bar: 31 cm
封口条长: 31 cm



Perfect design
完美设计



Suction: 4m³/h
抽气率: 4m³/h



- Vacuum chamber size 355X300X110mm · 真空室尺寸 355X300X110 毫米
- Vacuum chamber volume ≈9L · 真空室容积 ≈9 升
- Sealing dimension 310X6mm · 封口尺寸 310X6 毫米
- Spacer dimension 310X180X20mm · 垫板尺寸 310X180X20 毫米
- Gas extraction rate 4m³/h ≥-0.09Mpa · 抽气率 4 立方米/小时 ≥-0.09Mpa

· LED触摸屏 · 中英界面可选 · 可预设10种工作程序 · 超大真空室 · 送外抽接头及真空罐

VP-200

真空包装机

VACUUM SEALER



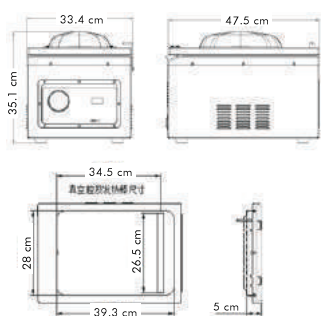
Model型号: VP200	EAN13: 6971656300131
220V/50Hz	↔ 48x33x35,6 cm
1100W	⚖ 26,7 Kg



Sealing bar: 26.5 cm
封口条长: 26.5 cm



Pressure: -29.7"Hg / -1006mbar (± 5%)
压力: -29.7"Hg / -1006mbar (± 5%)



- Voltage: 220Vac 50Hz
- Power: 1100W
- Vacuum pump: dry pump
- Pressure: -29.7"Hg / -1006mbar (± 5%)
directly in pump
- -29.5 "Hg/-999mbar (± 5%)
in vacuum chamber
- Max bag width: 260mm
- Seal wire width: 5 mm
- Size: 480x330x356mm

- 电压: 220V/50Hz
- 功率: 1100W
- 真空泵: 干泵
- 压力: -29.7 "Hg / -1006mbar (±5%)
直抽真空泵
- -29.5 "Hg / -999mbar (±5%) 真空腔
- 最大袋宽: 260mm
- 发热丝宽: 5 mm
- 尺寸: 480x330x356mm

VP-300

真空包装机

VACUUM SEALER



Model型号: VP300	EAN13: 6971656300148
220V/50Hz	↔ 56,7x49,5x47,2 cm
1100W	⚖ 60 Kg



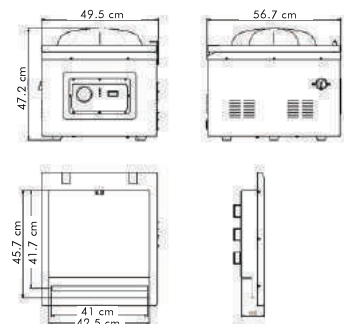
2 Filler Plates
填充板2块



Sealing bar: 41 cm
封口条长: 41 cm



Pressure: -29.9"Hg / -1012mbar (+0-3%)
压力: -29.9"Hg / -1012mbar (+0-3%)



- Voltage: 220Vac 50Hz
- Power: 1100W
- Vacuum pump: Oil pump
- Pressure: -29.9"Hg / -1012mbar (±3%)
directly in pump
- -29.8"Hg / -1009mbar(±3%)
in vacuum chamber
- Max bag width: 410mm
- Seal wire width: 3.5 mmx2
- Size: 576x495x472mm

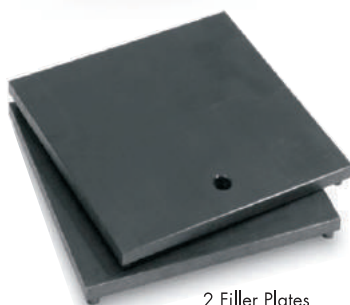
- 电压: 220V/50Hz
- 功率: 1100W
- 真空泵: 油泵
- 压力: -29.9" Hg / -1012mbar (±3%)
直抽真空泵
- -29.8" Hg / -1009mbar(±3%)真空腔
- 最大袋宽: 410mm
- 发热丝宽: 3.5 mm X 2
- 尺寸: 576x495x472mm

VP-400

真空包装机

VACUUM SEALER

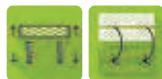
Model型号: VP400	EAN13: 6971656301206
220V/50Hz	↔ 56,7x50,5x47,2 cm
1100W	⚖ 60 Kg 双封口条



2 Filler Plates
填充板2块



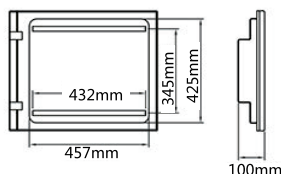
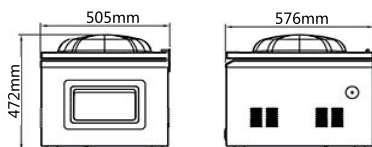
Double sealing bar
双封口条



Double sealing bar: 43.2 cm
双封口条: 43,2 cm



Pressure: -29.9" Hg / -1012mbar (+0-3%)
压力: -29.9" Hg / -1012mbar (+0-3%)



- Voltage: 220Vac 50Hz
- Power: 1100W
- Vacuum pump: Oil pump
- Pressure: -29.9" Hg / -1012mbar (±3%)
directly in pump
-29.8" Hg / -1009mbar(±3%)
in vacuum chamber
- Seal bar: 2pcs
- Seal bar length: 432mm/17"
- Seal wire width: 3.5 mmx2
- Size: 576x505x472mm

- 电压: 220V/50Hz
- 功率: 1100W
- 真空泵: 油泵
- 压力: -29.9" Hg / -1012mbar
(±3%) 直抽真空泵
-29.8" Hg / -1009mbar
(±3%) 真空腔
- 封口条: 2条
- 封口长: 432mm
- 发热丝宽: 3.5 mm X 2
- 尺寸: 567x505x472mm

CREATIVECHEF

SOUS VIDE COOKER

低温慢煮机

SV700

低温慢煮机
SOUS VIDE COOKER

Model型号: SV700	EAN13: 6971656301114
220V/50Hz	↔ 35.5X27X24 cm
700W	🗑️ 8 L



DOMESTIC
家用

- Rated voltage: 220-240V
- Rated frequency: 50HZ
- Rated power: 700 W
- Temperature setting range: 40—90 °C
- Time setting range: 10 min—72 hours

- 额定电压：220-240V
- 额定频率：50HZ
- 额定功率：700 W
- 温度设定范围：40 ---- 90°C
- 时间设定范围：10分钟 - 72小时

SV800

低温慢煮机
SOUS VIDE COOKER

Model型号: SV800	EAN13: 6971656308885
220V/50Hz	800W



DOMESTIC
家用

- Rated voltage: 230V
- Rated frequency: 50HZ
- Rated power: 800W
- Temperature setting range: 0—85 °C
- Time setting range: 0—60 hours

- 额定电压：230 V
- 额定频率：50HZ
- 额定功率：800 W
- 温度设置范围：0----85 °C
- 时间设置范围：0---60hours

SV1300

低温慢煮机
SOUS VIDE COOKER

Model型号: SV1300	EAN13: 6971656300186
230V/60Hz	1300W



- Rated voltage: 220-240V
- Rated frequency: 50HZ-60HZ
- Rated power: 1300 W
- Temperature setting range: 5—95 °C / 41—203 °F
- Time setting range: 0—99 hours 59min
- Display accuracy: 0.1

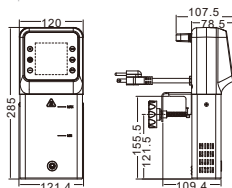
- 额定电压：220-240 V
- 额定频率：50HZ-60HZ
- 额定功率：1300 W
- 温度设置范围：5----90 °C
- 时间设置范围：0---99 hours 59min
- 显示精度：0.1

SV1600

低温慢煮机

SOUS VIDE COOKER

Model 型号: SV1600	EAN13: 6971656300179	
220V/50Hz	1600W	↔ 120×107.5×285mm
防水等级:IPX7	控水50L	⚖ 1.6 Kg WiFi connectivity



- Rated voltage: 220-240V
- Rated frequency: 50HZ-60HZ
- Rated power: 1600 W
- Temperature setting range: 5—95 °C / 41—203 °F
- Time setting range: 5 min—99 hours 59min
- Display accuracy: 0.1
- Size: 120×107.5×285mm
- Weight: 1.6 Kg

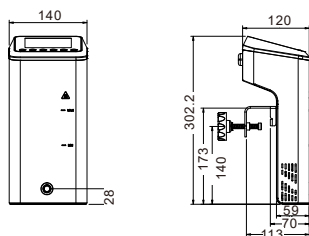
- 额定电压：220-240 V
- 额定频率：50HZ-60HZ
- 额定功率：1600 W
- 温度设置范围：5---95 °C / 41----203 °F
- 时间设置范围：5 min---99 hours 59min
- 显示精度：0.1 · 循环水量 4.5(±15%)L/Min
- 尺寸：120×107.5×285mm
- 重量：1.6 Kg

SV2300

低温慢煮机

SOUS VIDE COOKER

Model 型号: SV2300	EAN13: 6971656300186	
230V/60Hz	2300W	↔ 14x14.3x30.2 cm
防水等级:IPX7	控水80L	⚖ 2.2 Kg WiFi connectivity



- Rated voltage: 220-240V 50HZ-60HZ
- Rated power: 2300 W
- Maximum water control:80L
- Temperature setting range: 5—95 °C / 41—203 °F
- Time setting range: 5 min—99 hours 59min
- Display accuracy: 0.1
- Size: 140x143x302mm
- Weight: 2.2 Kg

- 额定电压：220-240 V , 50HZ-60HZ
- 额定功率：2300 W
- 最大控水量：80升
- 温度设置范围：5---95 °C / 41----203 °F
- 时间设置范围：5 min---99 hours 59min
- 显示精度：0.1 · 循环水量 10L/Min
- 尺寸：140x143x302mm
- 重量：2.2 Kg

CREATIVECHEF BAGS FOR VACUUM PACKAGING 真空包装袋

Bags especially Designed for SOUS VIDE

低温慢煮专用袋 (平面袋)

The multilayer system of Elma's bags guarantees a secure and durable sealing for your food

Material quality 材质: PA+CPP

Temperature 耐高温: 121 °C / 249.8 °F

Application 适用于: 

cm	EAN13	Piece / □
Bags 15 x 20 cm	6971656300056	100
Bags 20 x 30 cm	6971656300063	100
Bags 30 x 40 cm	6971656300070	100





适用于低温慢煮的烹饪方式

Vacuum Bags of Food Packaging 食品真空包装袋 (网纹袋)

Material quality 材质: PA+CPP

Temperature 耐高温: 100 °C

Application 适用于:  

cm	EAN13	Piece / □
Bags 7 x 10 cm	6971656300001	100
Bags 15 x 20 cm	6971656300025	100
Bags 20 x 30 cm	6971656300032	100
Bags 28 x 40 cm	6971656300049	100



适用于低温慢煮的烹饪方式

Vacuum Food Zipper Bags 真空食品拉链袋

Material quality 材质: PA+PE

Temperature 耐高温: 100 °C

Size 尺寸: 21 x 22cm / 26 x 28cm



适用于低温慢煮的烹饪方式



Secure bags
袋子安全可靠



The freshness of the food is extended
4 times longer
4倍延长食品的新鲜程度



They keep the nutritional
attributes of the food
锁住食物的营养



NEW FORMULA
新配方

FOOD SMOKER & WOODCHIPS

烟熏机、烟熏木屑

FOOD SMOKER

食物烟熏机SG28

EAN13: 6971656300230

Size尺寸: D84x100x190 mm



FOOD SMOKER

食物烟熏机 SG18

EAN13: 6971656300223

Size尺寸: 117x36x36 mm



FOOD SMOKER

食物烟熏机 SG16

EAN13: 6971656301114

Size尺寸: 155x68x44 mm



PECAN WOOD CHIPS

山核桃木烟熏料120g

Code编码:CACC107



APPLE WOOD CHIPS

苹果木烟熏料120g

Code编码:CACC108



CHERRY WOOD CHIPS

樱桃木烟熏料120g

Code编码:CACC109

